


2016 Sundance Spas 880 Aspen®

Specifications

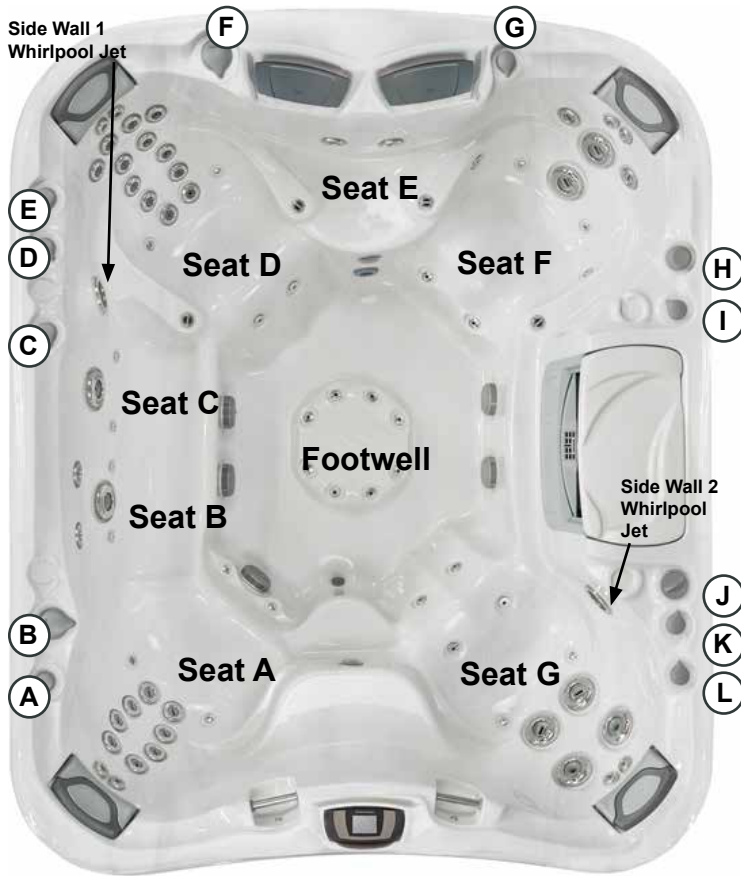
Dimensions:	90" x 110" x 41.5" (229 cm x 279.4 cm x 105.41 cm)	
Seating Capacity:	7-8 Adults	
Dry Weight:	1,240 lbs (562 kg)	
Filled Weight (Spa Volume):	7,036 lbs (3,192 kg)	
Filled Weight (Average Fill):	5,577 lbs (2,530 kg)	
Water Capacity (Spa Volume):	695 US Gal (2,631 Liters)	
Water Capacity (Average Fill):	520 US Gal (1,968 Liters)	
Controls:	880 Touch Interface LCD Control, Displays Temperature, Time, Cycles and Jet/Air System Control. Offers Customizing of Filtration Cycles, Lighting, Water Temperature Setting and other features	
Water Delivery:	3 TheraMax High-Flow Pumps and 8-Hour Dynamic Flow Circulation System	
Pump 1:	North America (60 Hz): 1-Speed/2.5 HP Continuous, 11.3A Max., 56 Frame Export (50 Hz): 1-Speed/2.0 HP Continuous, 7A Max.	
Pump 2:	North America (60 Hz): 1-Speed/2.5 HP Continuous, 11.3A Max., 56 Frame Export (50 Hz): 1-Speed/2.0 HP Continuous, 7A Max.	
Pump 3:	North America (60 Hz): 1-Speed/2.5 HP Continuous, 11.3A Max., 56 Frame Export (50 Hz): 1-Speed/2.0 HP Continuous, 7A Max.	
Pump 4:	High-Output Dynamic Flow, 8-Hour Filter/Circulation Pump (67 gpm) Programmable for Daily Start Time and Duration	
Total Hydrojets:	66	
Seat A Jets:	2 Fluidix Nex, 8 Fluidix Reflex	
Seat B Jets:	2 Fluidix Reflex, 1 Fluidix Intelli-Jet	
Seat C Jets:	1 Fluidix Intelli-Jet	
Seat D Jets:	2 Fluidix Nex, 12 Fluidix ST, 2 Pulsator, 2 Accu-Pressure, 1 Whirlpool (sidewall)	
Seat E Jets:	2 Fluidix Reflex	
Seat F Jets:	2 Fluidix Nex, 2 Fluidix Reflex, 2 Fluidix Intelli-Jet, 2 Pulsator, 4 Accu-Pressure	
Seat G Jets:	2 Fluidix Nex, 2 Vortex, 2 Fluidix Intelli-Jet, 4 Accu-Pressure, 1 Whirlpool (sidewall)	
Footwell Jets (H):	8 Accu-Pressure	
Air Blower:	High-efficiency, 1-Speed	
Aromatherapy Delivery:	14 Silent Air® Injector Jets with Quiet High Speed Air Pump	
Air Controls/Massage Selectors:	8/2 (Standard Air controls with LED light rings)	
Filter:	MicroClean® Ultra Filtration System, 130 ft ² (2 interlocking cartridge filters)	
Water Treatment:	Automatic Brominator and Dynamic Flow Circulation System; Factory installed CLEARARRAY® Water Purification System	
Lighting:	Multicolored Sunglow LED Lighting System (2 Waterfall, 2 Footwell, 8 Air controls, 2 Backlit handrails)	
Synthetic Cabinet:	Available in Coastal, Mahogany, Autumn Walnut	
Shell Colors:	Platinum, Sahara, Copper Sand, Celestite (Gypsum), Monaco	
Handrails:	Two High Quality Stainless Steel with backlit LED lighting	
ComfortTone Headrests:	Four 2-Part/2-Tone Gray	
Heater:	Low Flow 5.5 kW With Titanium Element Export (50 Hz): Low Flow 5.5 kW with Titanium Element	
Electrical Requirements:	North America (60 Hz): 240 VAC@50A or 60A; Export (50 Hz): 230-240 VAC@1x40A, 2x25A, 1x25A/1x32A (see manual for more configurations); or Suitable Rated Circuit Breaker To Comply With Local Electrical Regulations. Certain Countries May Require 2 Power Inputs; Two GFCI/RCD Breakers are Required For This Configuration.	
Limited Warranty*:	North America (60 Hz): 10 Years Shell, 7 Years Shell Surface, 5 Years Plumbing Component Leaks, 5 Years Equipment and Controls, 5 Years Cabinet, 5 Years Jets, 2 Years Lights, 1 Year Stereo Export (50 Hz): 10 Years Shell, 7 Years Shell Surface, 2 Years Plumbing Component Leaks, 2 Years Equipment and Controls, 2 Years Cabinet, 2 Years Jets, 2 Years Lights, 2 Years Stereo	
Waterfall Feature:	Adjustable Flow Rate; Colored Lighting	
Audio System (Optional):	Optional Factory Installed BLUEWAVE® 2.0 Wireless Spa Stereo System with Auxiliary 3.5 mm headphone jack connection, Bluetooth® compatible, 4 premium speakers and a powered subwoofer	
Special Features:	Optional Factory Installed SunSmart™ 2.0 WiFi module	
Cover:	6476-000G (Coastal Bi-fold); 6476-000M (Duetta Bi-fold)	

*(See Warranty Document for Specific Details)

Dimensions/Specifications Subject To Change Without Notice

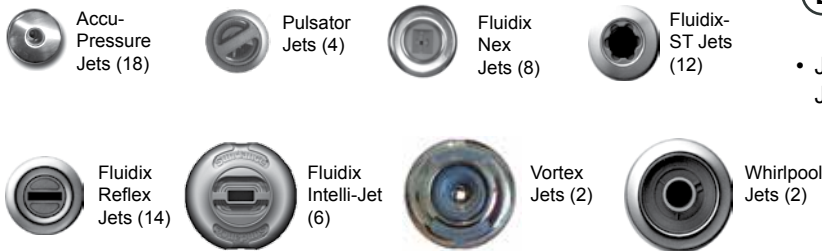
2016 Sundance Spas 880 Aspen

Operation/Seat Depths



- (A)** Air Control - Activates Seat A Jets (2 Fluidix Nex, 8 Fluidix Reflex), Seat B Jets (2 Fluidix Reflex, 1 Fluidix Intelli-Jet) and Seat C Jet (1 Fluidix Intelli-Jet)
- (B)** Massage Selector [Pump 1] - Adjusts Massage Level Between Seat A Jets + Seat B Jets + Seat C Jets and both Side Wall Whirlpool Jets
- (C)** Air Control - Activates Side Wall 1 Whirlpool Jet
- (D)** Air Control - Activates Lower Seat D Jets (6 Fluidix-ST, 2 Pulsators, 2 Accu-Pressure)
- (E)** Air Control - Activates Upper Seat D Jets (2 Fluidix Nex, 6 Fluidix-ST)
- (F)** Massage Selector [Pump 2] - Adjusts Massage Level Between Seat D Jets and Seat G Jets
- (G)** Air Control - Activates Seat E (2 Fluidix Reflex) + Seat F Jets (2 Fluidix Nex, 2 Fluidix Reflex, 2 Fluidix Intelli-Jets, 2 Pulsators, 4 Accu-Pressure)
- (H)** Waterfall Selector [8-Hour Circ. Pump] - Controls Waterfall Output
- (I)** Air Control - Activates Center Footwell Jets (8 Accu-Pressure)
- (J)** SunScents Dispenser
- (K)** Air Control - Activates Side Wall 2 Whirlpool Jet
- (L)** Air Control - Activates Seat G Jets (2 Fluidix Nex, 2 Vortex, 2 Fluidix Intelli-Jet, 4 Accu-Pressure)

66 Total Jets



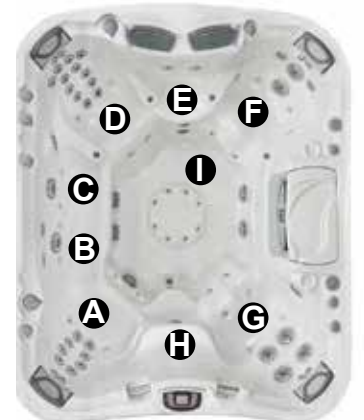
- Jets Pump 3: Seat E Jets, Seat F Jets and Footwell Jets are always on when this pump is running

Spa Operation Subject To Change Without Notice

SEAT DEPTHS

- A = 26.50" (67.31 cm)**
- B = 26.00" (66.04 cm)**
- C = 26.00" (66.04 cm)**
- D = 27.63" (70.15 cm)**
- E = 21.38" (54.31 cm)**
- F = 26.50" (67.31 cm)**
- G = 25.75" (65.41 cm)**
- H = 16.38" (41.61 cm)**
- I = 36.00" (91.44 cm)**

Listed dimensions represent distance from top of acrylic to lowest point in seat. **Tolerance ± 0.5" (1.27 cm).**

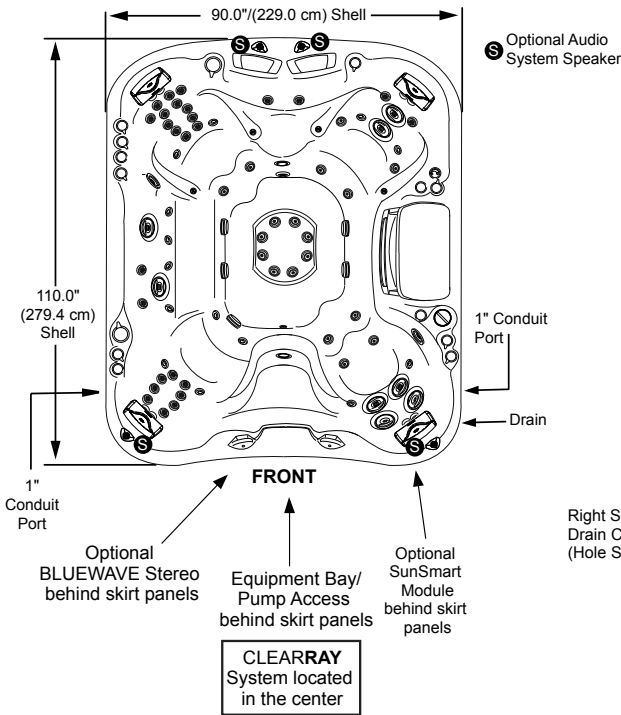


Dimensions/Specifications Subject To Change Without Notice

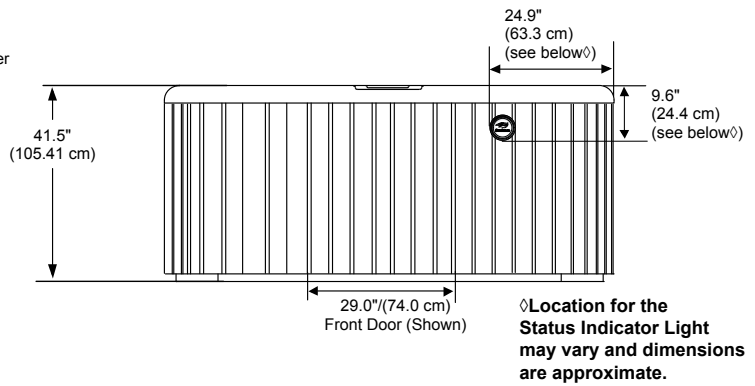
2016 Sundance Spas 880 Aspen

Portable Dimensions

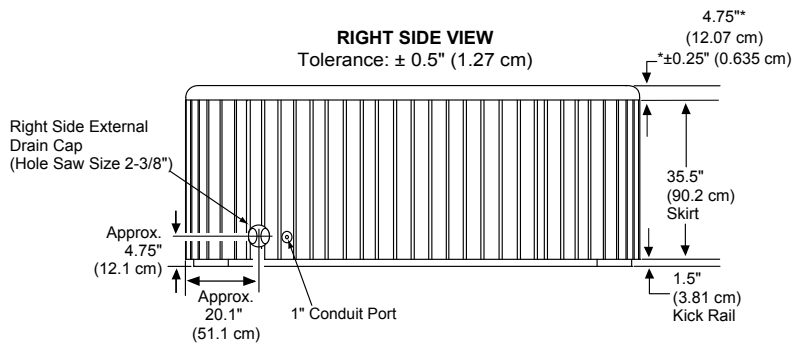
TOP VIEW



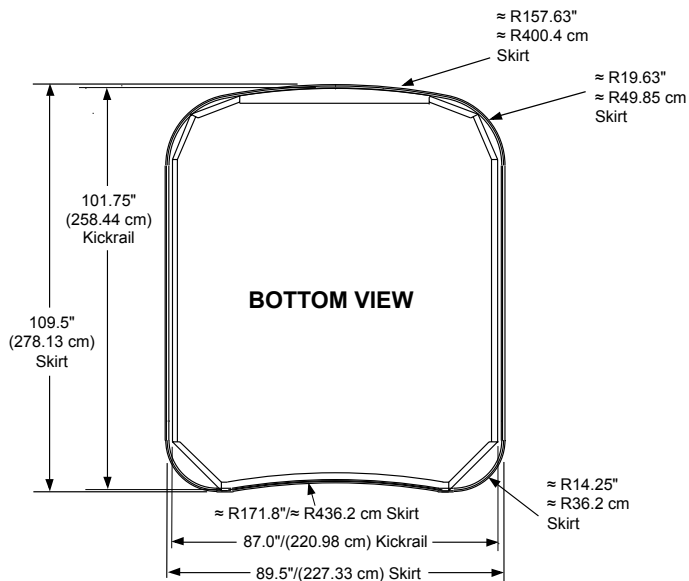
FRONT/BACK VIEW
Tolerance: $\pm 0.5"$ (1.27 cm)



RIGHT SIDE VIEW
Tolerance: $\pm 0.5"$ (1.27 cm)



IMPORTANT! Always measure each hot tub for exact dimensions BEFORE designing its foundational support and/or decking.



Dimensions/specifications subject to change without notice. Tolerance: $\pm 0.5"$ (1.27 cm)

Dimensions/Specifications Subject To Change Without Notice